

## IMPORTANT SAFETY RULES

Read, understand, and follow all instructions carefully before installing and using this product. Keep for future reference.

### Ladder with Removable Steps 48" (122cm) & 52" (132cm) models



Don't forget to try these other fine Intex products: Pools, Pool Accessories, Inflatable Pools and In-Home Toys, Airbeds and Boats available at fine retailers or visit our website.

Due to a policy of continuous product improvement, Intex reserves the right to change specifications and appearance, which may result in updates to the instruction manual, without notice.

OWNER'S MANUAL

**INTEX**®

©2023 Intex Marketing Ltd. - Intex Development Co. Ltd. - Intex Recreation Corp. All rights reserved/Tous droits réservés/Todos los derechos reservados/Alle Rechte vorbehalten. Printed in China/Imprimé en Chine/Impreso en China/Gedruckt in China.

®™ Trademarks used in some countries of the world under license from/®™ Marques utilisées dans certains pays sous licence de/Marcas registradas utilizadas en algunos países del mundo bajo licencia de/Warenzeichen verwendet in einigen Ländern der Welt in Lizenz von/Intex Marketing Ltd. to/à/a/an Intex Development Co. Ltd., Hong Kong & Intex Recreation Corp., P.O. Box 1440, Long Beach, CA 90801 • Distributed in the European Union by/Distribué dans l'Union Européenne par/Distribuido en la unión Europea por/Vertrieb in der Europäischen Union durch/Intex Trading B.V., Ettensweg 46, 4706 PB Roosendaal – The Netherlands • Distributed in the UK by Unitex Service (UK) Limited, 21 Holborn Viaduct, London EC1A 2DY, UK.  
[www.intexcorp.com](http://www.intexcorp.com)

332- \*A\* -R0-2405

## TABLE OF CONTENTS

<b>Warnings.....</b>	<b>3</b>
<b>Parts References.....</b>	<b>4-5</b>
<b>Setup Instructions.....</b>	<b>6-12</b>
<b>Long Term Storage.....</b>	<b>12</b>
<b>General Aquatic Safety.....</b>	<b>13</b>
<b>Limited Warranty.....</b>	<b>14</b>

# SAVE THESE INSTRUCTIONS

## IMPORTANT SAFETY RULES

Read, Understand and Follow All Instructions Carefully Before Installing and Using this Product.



## WARNING

- Supervise children and those with disabilities at all times.
- Always assist children when they use the ladder to avoid falls and/or serious injury.
- Never dive or jump from this ladder.
- Locate the ladder on a level, solid base.
- One person on this ladder at a time.
- Maximum load: 300 lbs (136 kg). Complies with EN16582 strength requirements.
- Face the ladder at all times for entry/exit of pool.
- Remove and secure ladder when pool is not occupied.
- Do not swim under, through or behind ladder.
- Check all nuts and bolts regularly to ensure ladder stays sturdy.
- If swimming at night use artificial lighting to illuminate all safety signs, ladders, pool floor and walkways.
- Assembly and disassembly by adults only.
- This ladder is designed and manufactured for a specific pool wall height and/or deck of the pool. Do not use with other pools.
- Failure to follow the maintenance instructions and warnings may result in adverse health effects or injury, particularly to children.
- Only use this ladder for the purposes described in this manual.

**FAILURE TO FOLLOW THESE WARNINGS MAY RESULT IN BROKEN BONES, ENTRAPMENT, PARALYSIS, DROWNING OR OTHER SERIOUS INJURY.**

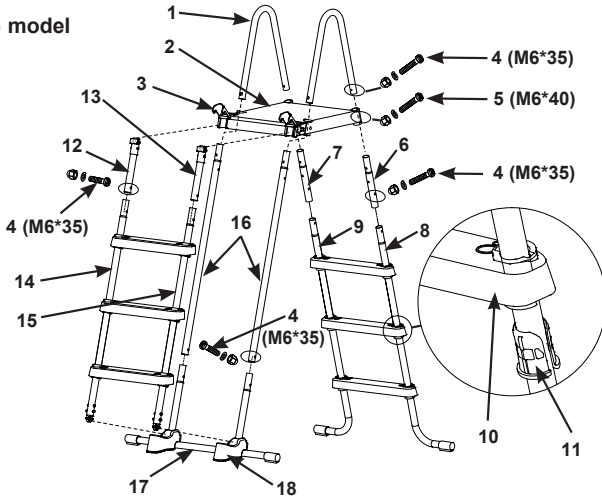
These product warnings, instructions and safety rules provided with the product represent some common risks of water recreation devices and do not cover all instances of risk and danger. Please use common sense and good judgment when enjoying any water activity.

## SAVE THESE INSTRUCTIONS

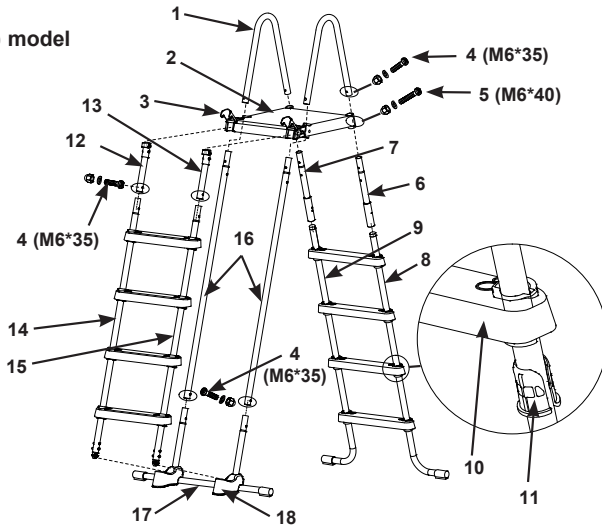
## PARTS REFERENCE

Before assembling your product, please take a few minutes to check the contents and become familiar with all the parts.

### 48" (122cm) model



### 52" (132cm) model



**NOTE:** Drawings for illustration purpose only. Actual product may vary. Not to scale.

# SAVE THESE INSTRUCTIONS

**PARTS REFERENCE (continued)****332**  
**A**

Before assembling your product, please take a few minutes to check the contents and become familiar with all the parts.

REF. NO.	DESCRIPTION	QUANTITY		SPARE PART NO.	
		48"	52"	48"	52"
				#28076	#28077
1	U-SHAPED TOP RAIL	2	2	12512A	12512A
2	TOP PLATFORM	1	1	12182	12182
3	CLASP	2	2	12190	12190
4	SHORT FASTENER FOR U-SHAPED TOP RAIL (WITH 1 EXTRA)	11	9	10810	10810
5	LONG FASTENER FOR TOP PLATFORM (WITH 1 EXTRA)	5	5	10227	10227
6	A SIDE - UPPER SIDE LEG (MARKED "A")	1	1	12669AA	12643AA
7	A SIDE - UPPER SIDE LEG (MARKED "B")	1	1	12669AB	12643AB
8	A SIDE - LOWER J- LEG (MARKED "A")	1	1	12670AA	12644AA
9	A SIDE - LOWER J- LEG (MARKED "B")	1	1	12670AB	12644AB
10	STEP	6	8	12629	12629
11	STEP ANCHOR SLEEVE	12	16	12630	12630
12	B SIDE - UPPER SIDE LEG (MARKED "A1")	1	1	12653AA	12653AA
13	B SIDE - UPPER SIDE LEG (MARKED "B1")	1	1	12653AB	12653AB
14	B SIDE - LOWER SIDE LEG (MARKED "A1")	1	1	12651AA	12654AA
15	B SIDE - LOWER SIDE LEG (MARKED "B1")	1	1	12651AB	12654AB
16	C SIDE - UPPER SIDE LEG (MARKED "C")	2	2	12652A	12655A
17	C SIDE - LOWER U-SHAPED SIDE LEG (MARKED "C")	1	1	12650A	12650A
18	SUPPORT BASE	2	2	11356	11356

This ladder is designed and manufactured for Intex pool wall height:

Item #	Pool Wall Height	Item #	Pool Wall Height
28076	48" (122cm)	28077	52" (132cm)

**IMPORTANT**

It is very important to lay out the parts correctly and identify which parts connect together before starting the assembly. Although some parts look alike, they are not always interchangeable. Refer to the parts list.

**SAVE THESE INSTRUCTIONS**

## LADDER SETUP

332  
A

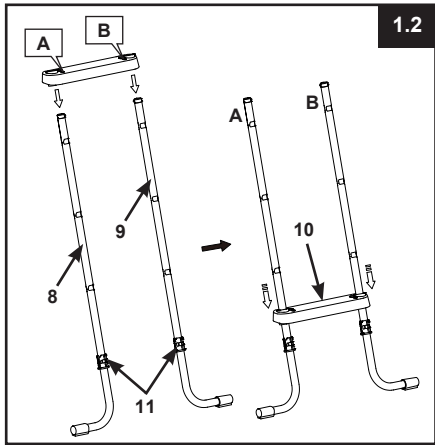
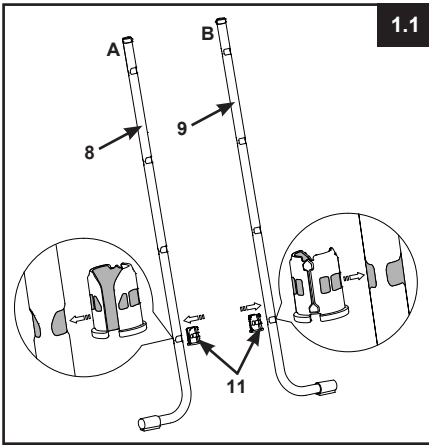
**TOOLS REQUIRED:** One (1) Phillips screwdriver, one (1) small flat screwdriver  
One (1) pair of pliers or a small adjustable wrench

Estimated assembly time 30-60 minutes. (Note the assembly time is only approximate and individual assembly experience may vary.)

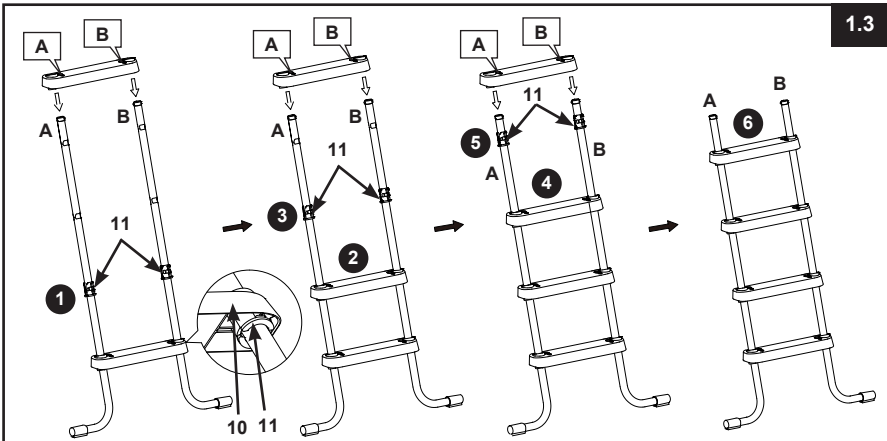
# ! WARNING

INCORRECTLY CONNECTED PARTS MAY RESULT IN AN UNSTABLE LADDER OR LADDER FAILURE WHICH CAN CAUSE FALLING AND PERSONAL INJURY OR DEATH.

### 1. SIDE A LEGS ASSEMBLY (refer to figures 1.1 through 1.4):



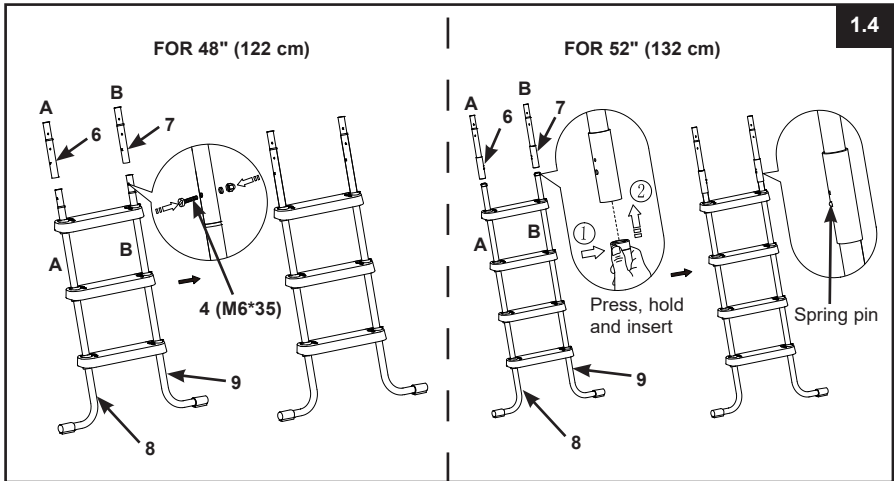
**IMPORTANT:** Ensure the J-shaped legs are pointing outwards before installing the steps.



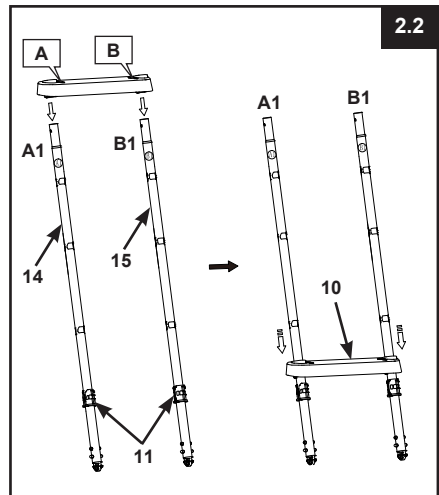
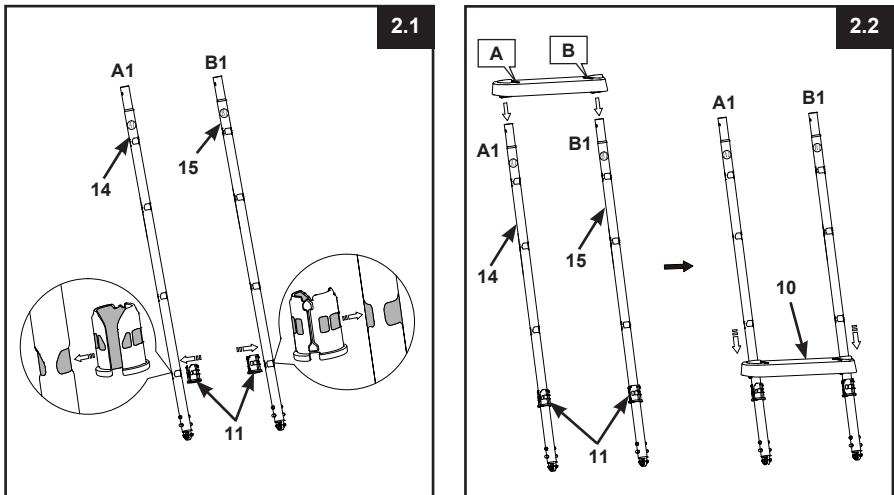
# SAVE THESE INSTRUCTIONS

## LADDER SETUP (continued)

- UPPER SIDE A LEGS ASSEMBLY (refer to figure 1.4):



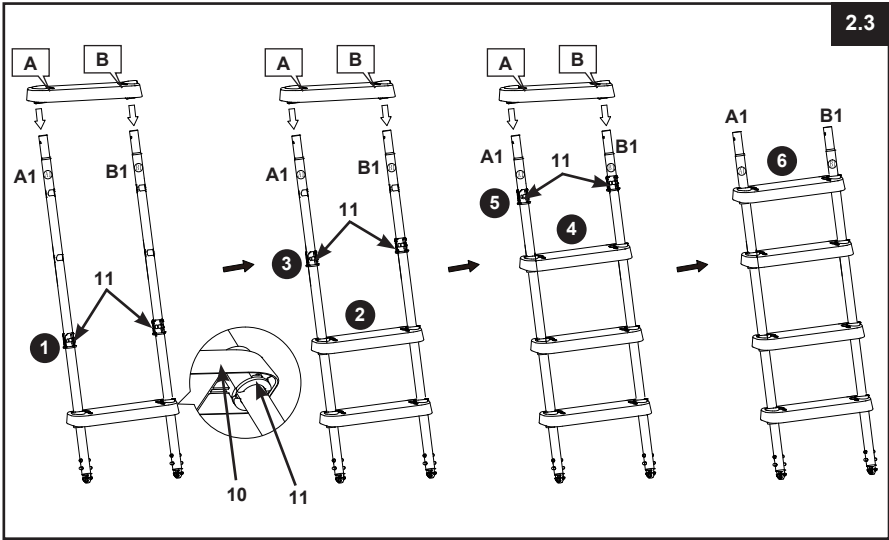
- 2. SIDE B LEGS ASSEMBLY (refer to figures 2.1 through 2.4):



# SAVE THESE INSTRUCTIONS

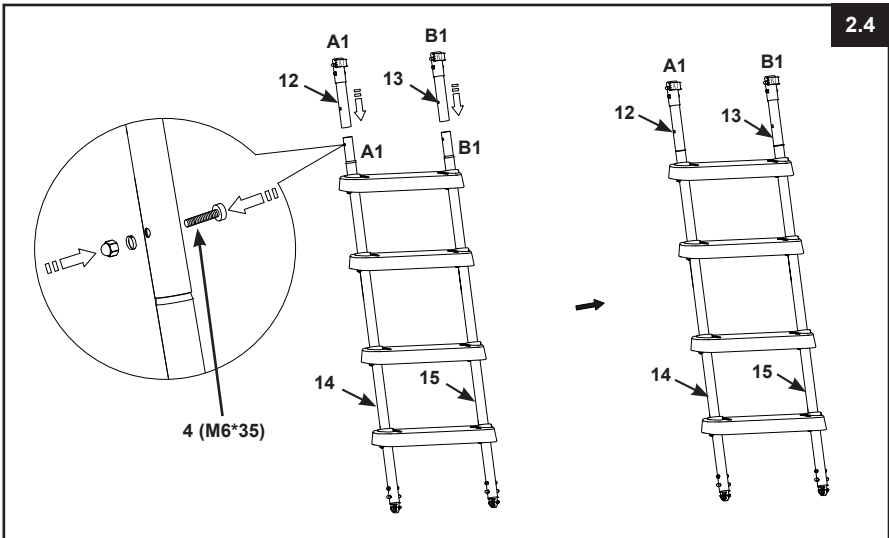
### LADDER SETUP (continued)

2.3



- UPPER SIDE B LEGS ASSEMBLY (refer to figure 2.4):

2.4



# SAVE THESE INSTRUCTIONS

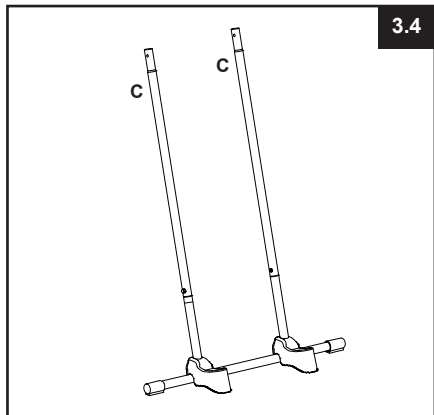
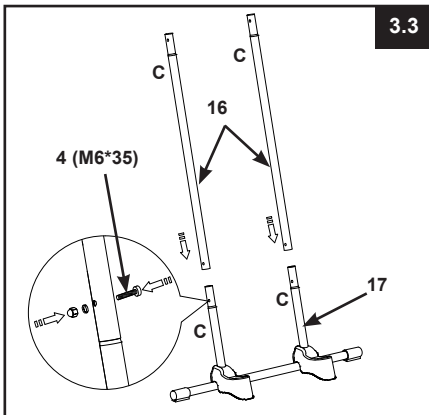
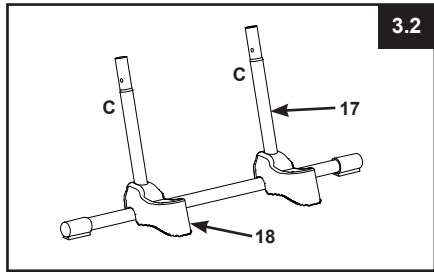
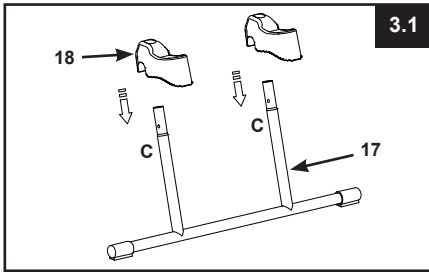


## LADDER SETUP (continued)

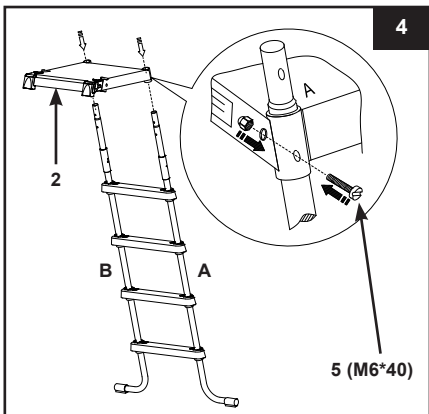
332  
A

### 3. SIDE C LEGS ASSEMBLY (refer to figures 3.1 through 3.4):

**IMPORTANT:** Make sure the legs are securely connected and locked.



### 4. TOP PLATFORM INSTALLATION (refer to figure 4):



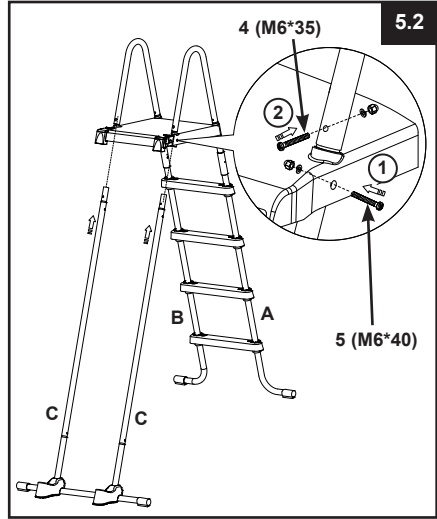
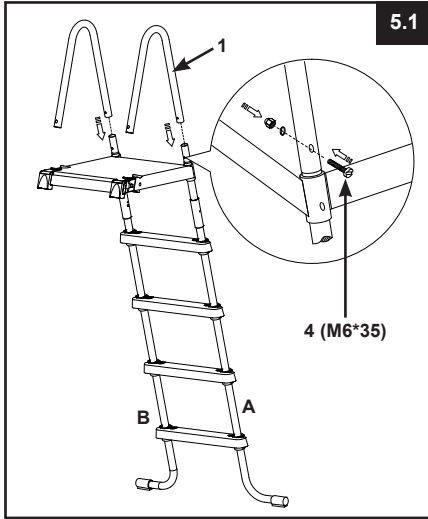
# SAVE THESE INSTRUCTIONS

## LADDER SETUP (continued)

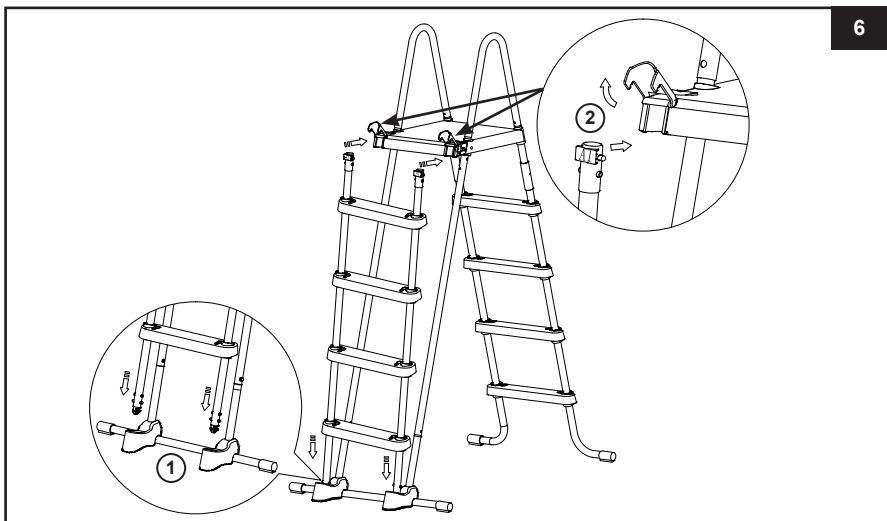
332  
A

### 5. U-SHAPED TOP RAIL INSTALLATION (refer to figures 5.1 through 5.2):

**IMPORTANT:** One side at a time. Do not attach the other side of the ladder until the U-shaped top rail is installed. Make sure all nuts and bolts are securely tightened. Do not fully tighten fasteners until last assembly operation.



### 6. SIDE B LEGS INSTALLATION (refer to figure 6):



# SAVE THESE INSTRUCTIONS

## LADDER SETUP (continued)

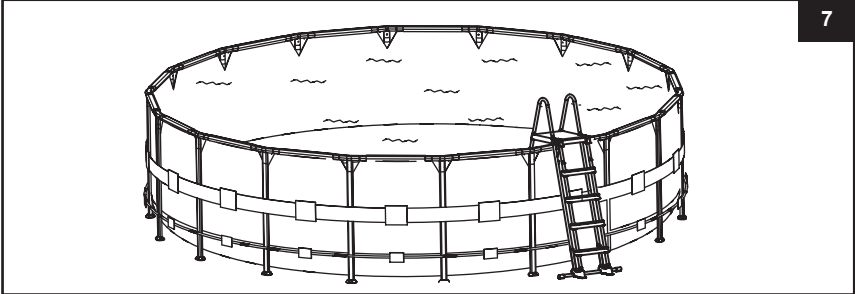
332  
A

7. **MAINTENANCE:** Regularly check all nuts, bolts, steps and step anchor sleeves to ensure all parts are secured properly and the ladder is sturdy.

8. **BEFORE USE OF LADDER** (refer to figure 7):

With all parts now in place, verify that all fasteners/screws are fully tightened and apply downward pressure to each step to be sure they are fully anchored in place.

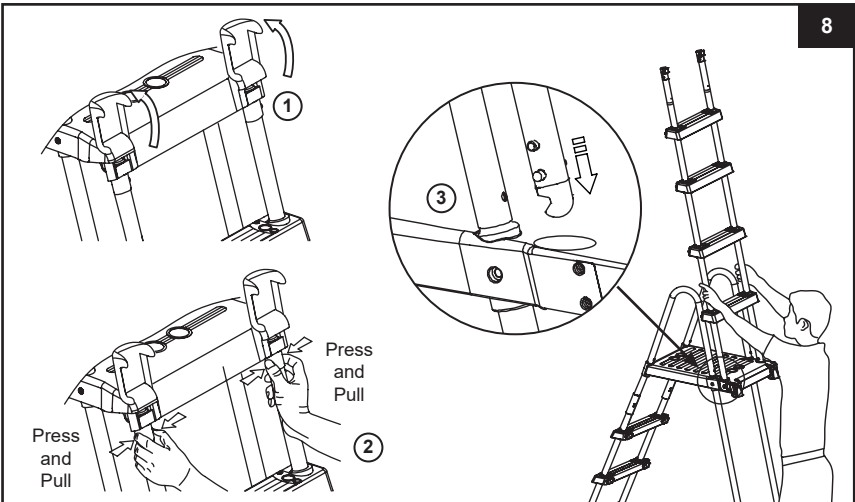
**IMPORTANT:** The removable steps side must be located outside of the pool.



## WARNING

BEFORE EACH USE, ENSURE THE REMOVABLE STEPS SIDE IS ANCHORED INTO THE SUPPORT BASE AND SECURELY LOCKED IN THE CLASPS LOCATED AT THE FRONT EDGE OF THE TOP PLATFORM.

9. **AFTER USE OF LADDER** (refer to figure 8):



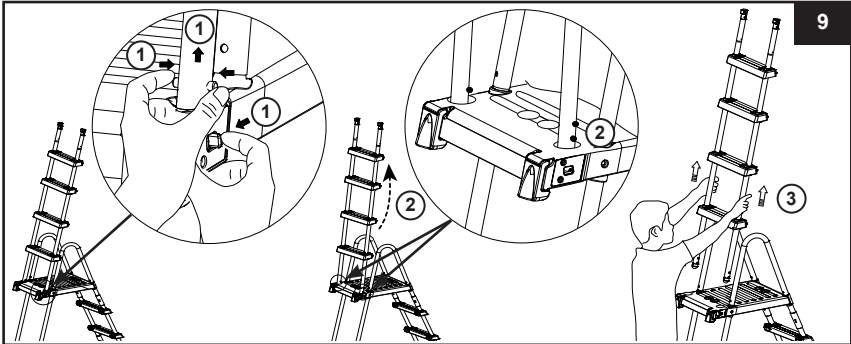
# SAVE THESE INSTRUCTIONS

## LADDER SETUP (continued)

332  
A

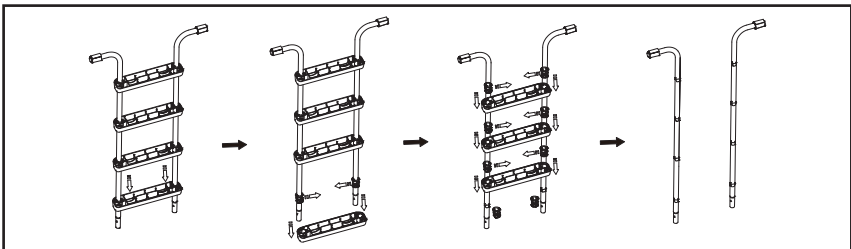
### 10. Removing the steps from the secured position (refer to figure 9):

- With your right hand pull and hold the latch towards you, while at the same time with your left hand press the white protruding buttons and simultaneously lift that leg out of the cavity exposing the lower white protruding buttons.
- Allow the leg to rest over the top brace (make sure it does not fall back into the cavity), and quickly lift up the "removable step assembly" out of its secured position.
- See step 6 for re-attaching the removable steps.



## WINTERIZING / LONG TERM STORAGE

- Remove the "removable steps" as shown in the After Use of Ladder section, see figure 8.
- Remove the ladder from the pool, and make sure the ladder and the removable steps are thoroughly dry before long term storage.
- Bring the ladder and all its components indoors and store in a safe and dry area, preferably between 32°F (0°C) and 104°F (40°C).
- Be sure the ladder and all components are stored in a safe place away from children's reach.
- Step disassembly:



## WARNING

WHEN NOT IN USE, LADDER SHOULD BE KEPT IN SAFETY POSITION. REMOVE THE FRONT STEPS SIDE WHEN THE POOL IS NOT IN USE OR OCCUPIED. STORE THE REMOVABLE STEPS SIDE IN A SAFE PLACE AWAY FROM CHILDREN REACH. CLOSE THE CLASPS BACK.

# SAVE THESE INSTRUCTIONS

## GENERAL AQUATIC SAFETY

**Water recreation is both fun and therapeutic. However, it involves inherent risks of injury and death. To reduce your risk of injury, read and follow all product, package and package insert warnings and instructions. Remember, however, that product warnings, instructions and safety guidelines cover some common risks of water recreation, but do not cover all risks and or dangers.**

**For additional safeguards, also familiarize yourself with the following general guidelines as well as guidelines provided by nationally recognized Safety Organizations:**

- Demand constant supervision. A competent adult should be appointed as a "lifeguard" or water watcher, especially when children are in and around the pool.
- Learn to swim.
- Take the time to learn CPR and first aid.
- Instruct anyone who is supervising pool users about potential pool hazards and about the use of protective devices such as locked doors, barriers, etc.
- Instruct all pool users, including children what to do in case of an emergency.
- Always use common sense and good judgement when enjoying any water activity.
- Supervise, supervise, supervise.

**SAVE THE CARTON FOR STORAGE AND THE INSTRUCTIONS FOR RE-ASSEMBLY**

# SAVE THESE INSTRUCTIONS

## LIMITED WARRANTY

332  
A

Your Intex Pool Ladder has been manufactured using the highest quality materials and workmanship. All Intex products have been inspected and found free of defects prior to leaving the factory. This Limited Warranty applies to the Intex Pool Ladder only.

This limited warranty is in addition to, and not a substitute for, your legal rights and remedies. To the extent that this warranty is inconsistent with any of your legal rights, they take priority. For example, consumer laws across the European Union provide statutory warranty rights in addition to the coverage you receive from this limited warranty: for information on EU-wide consumer laws, please visit the European Consumer Center website at [http://ec.europa.eu/consumers/ecc/contact\\_en/htm](http://ec.europa.eu/consumers/ecc/contact_en/htm).

The provisions of this Limited Warranty apply only to the original purchaser and are not transferable. This Limited Warranty is valid for a period of 1 year from the date of the initial retail purchase. Keep your original sales receipt with this document, as proof of purchase will be required and must accompany warranty claims or the Limited Warranty will be invalid.

If you find a manufacturing defect in the Intex Pool Ladder during the warranty period, please contact the appropriate Intex Service Center listed in the separate "Authorized Service Centers" sheet. If the item is returned as directed by the Intex Service Center, the Service Center will inspect the item and determine the validity of the claim. If the item is covered by the provisions of the warranty, the item will be repaired or replaced, with the same or comparable item (at Intex's choice) at no charge to you.

Other than this warranty, and other legal rights in your country, no further warranties are implied. To the extent possibly in your country, in no event shall Intex be liable to you or any third party for direct or consequential damages arising out of the use of your Intex Pool Ladder, or Intex or its agents' and employees' actions (including the manufacture of the product). If your country does not allow the exclusion or limitation of incidental or consequential damages, this limitation or exclusion does not apply to you.

You should note that this limited warranty does not apply in the following circumstances:

- If the Intex Pool Ladder is subject to negligence, abnormal use or application, accident, improper operation, improper maintenance or storage.
- If the Intex Pool Ladder is subject to damage by circumstances beyond Intex's control, including but not limited to, ordinary wear and tear and damage caused by exposure to fire, flood, freezing, rain, or other external environmental forces;
- To parts and components not sold by Intex; and/or
- To unauthorized alterations, repairs or disassembly to the Intex Pool Ladder by anyone other than Intex Service Center personnel.

The costs associated with the loss of pool water, chemicals or water damages are not covered by this warranty. Injury or damage to any property or person is not covered by this warranty.

Read the owner's manual carefully and follow all instructions regarding proper operation and maintenance of your Intex Pool Ladder. Always inspect your product prior to use. This limited warranty will be void if use instructions are not followed.

# SAVE THESE INSTRUCTIONS